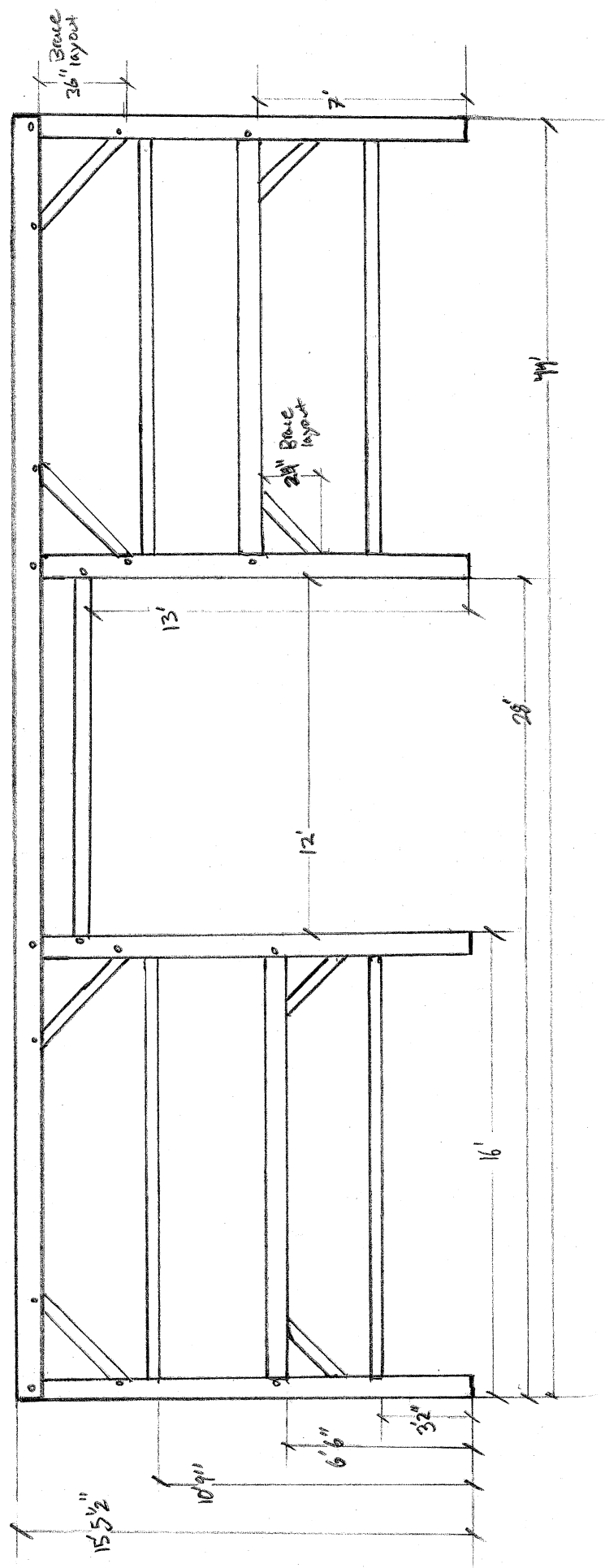


B.I

3/4" = 1 foot
Preliminary
Drawings
3-18-21



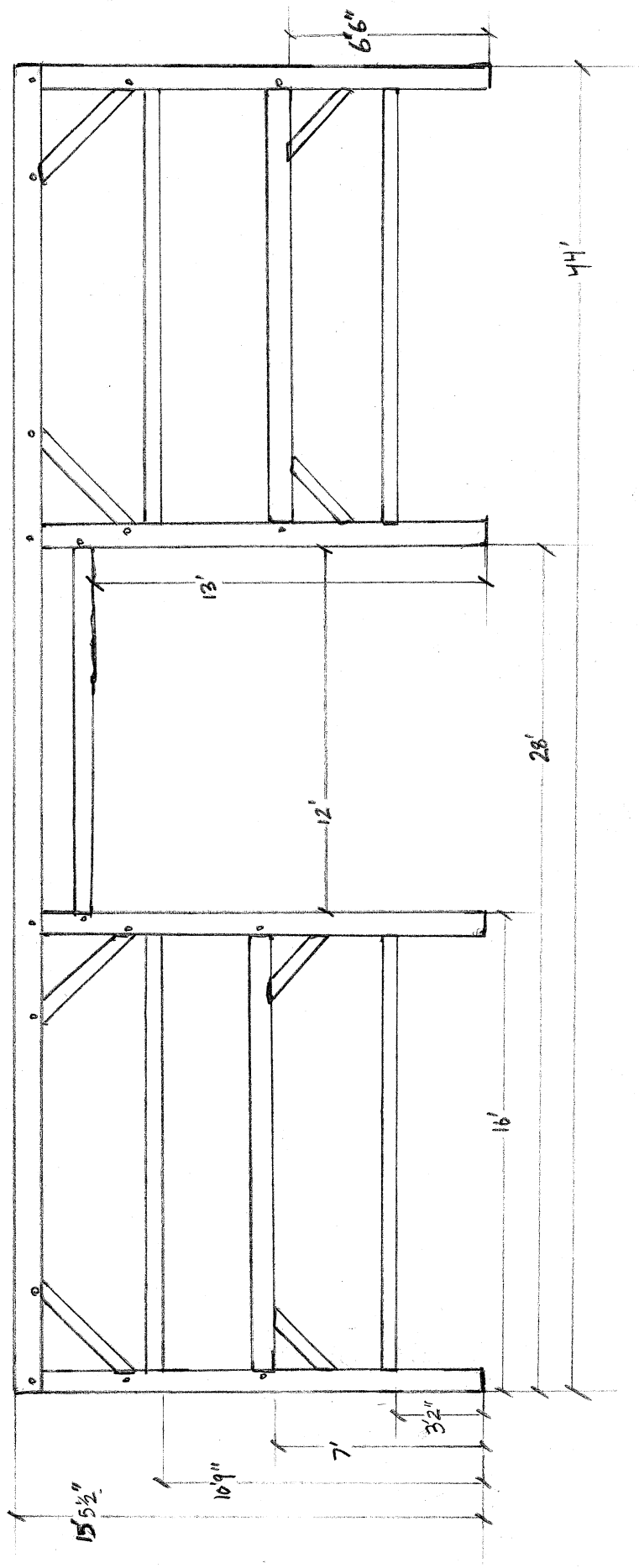
"Indiana Avenue"

B.IV

NY Photo. Wall

XBIV

XBI

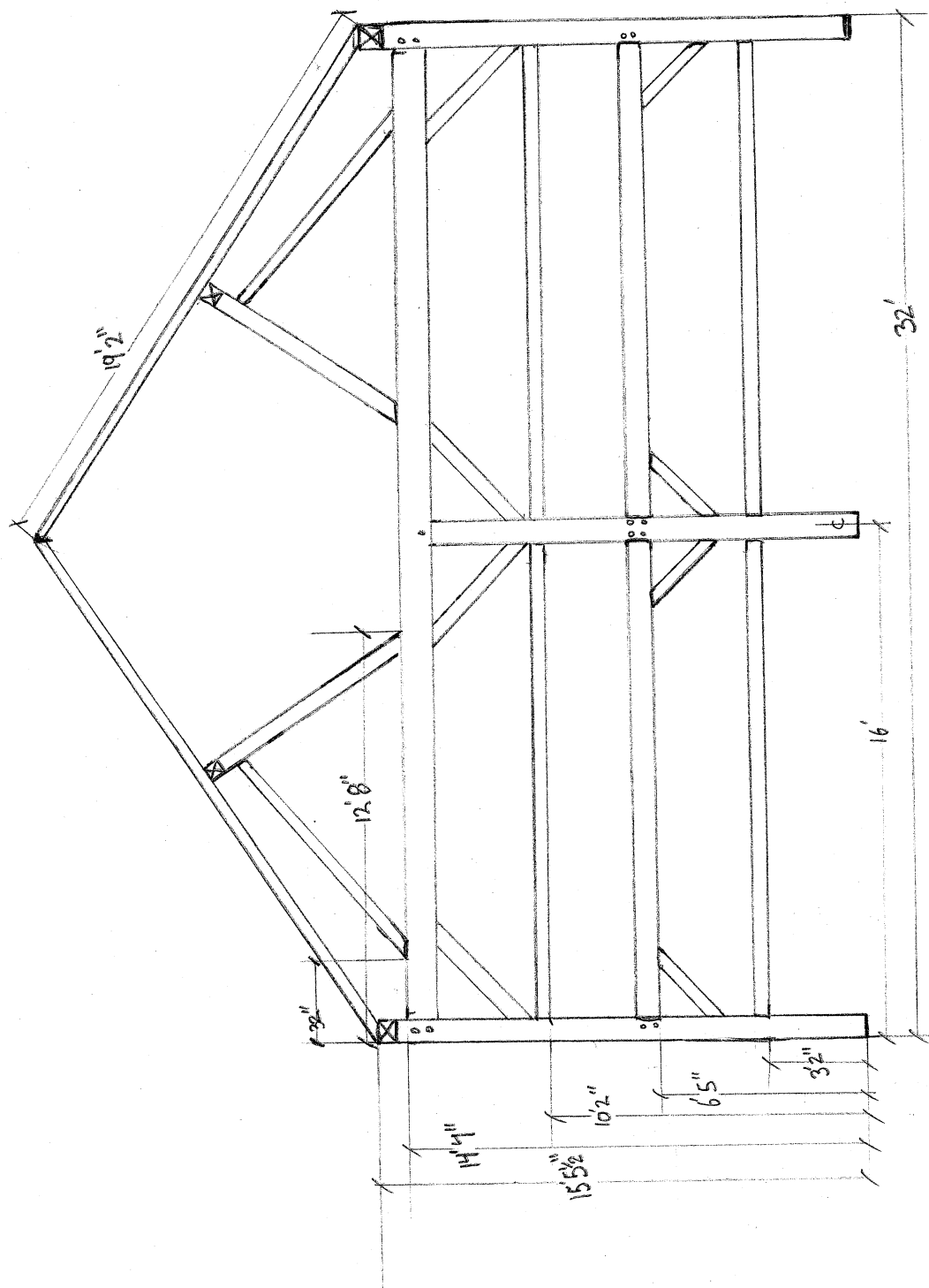


3/16 = 1 foot
 Preliminary
 Drawings
 3-18-21

X plate wall

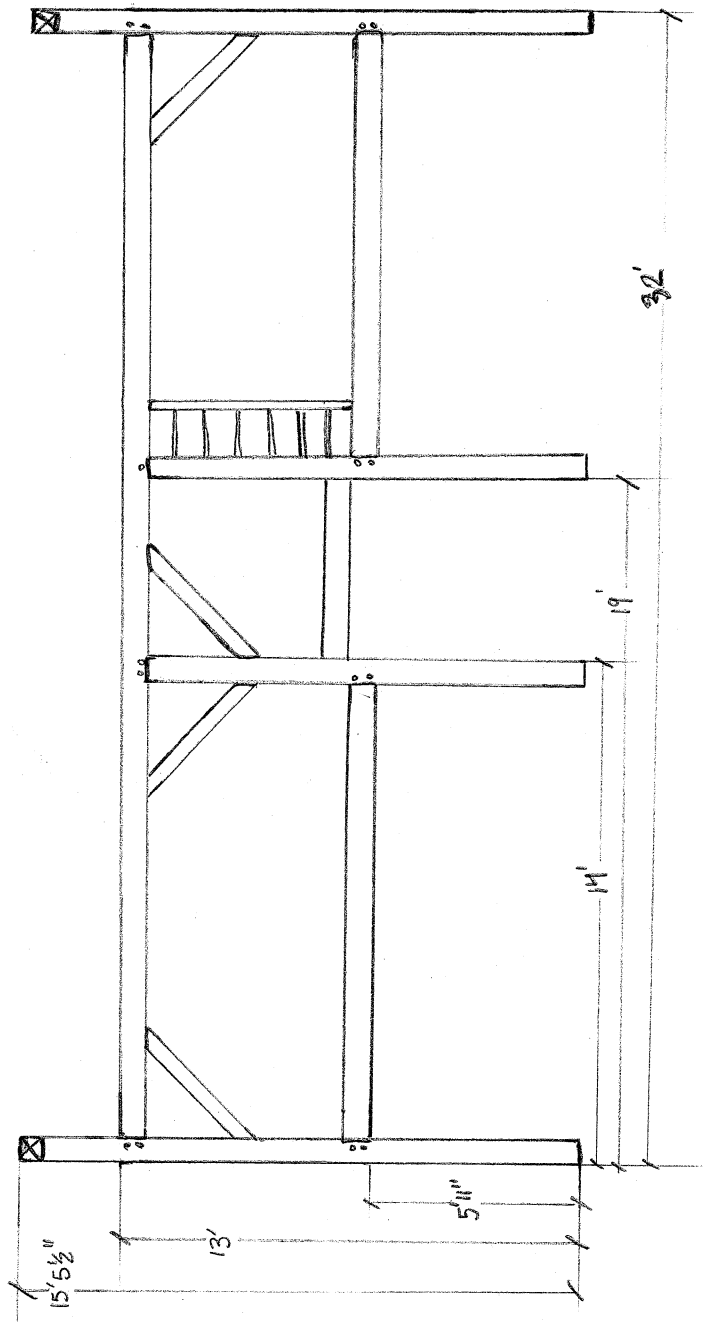
XBI

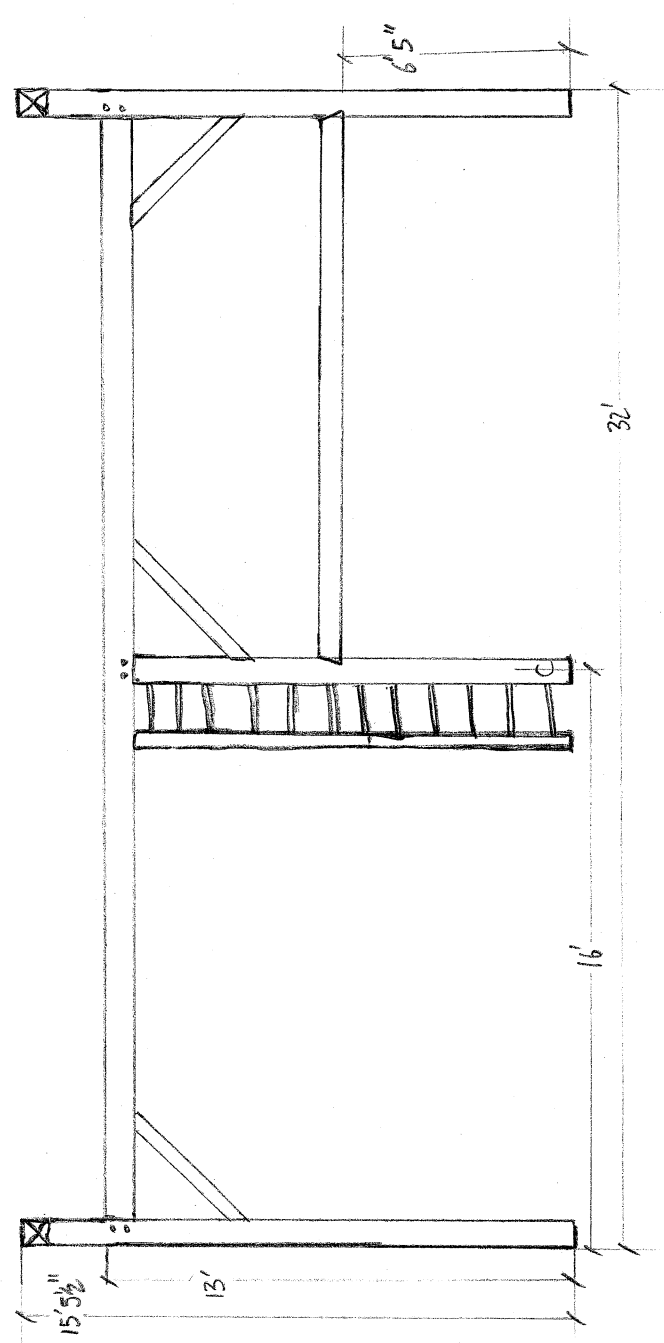
3/16 = 1 foot
Preliminary
Drawings 3-18-21



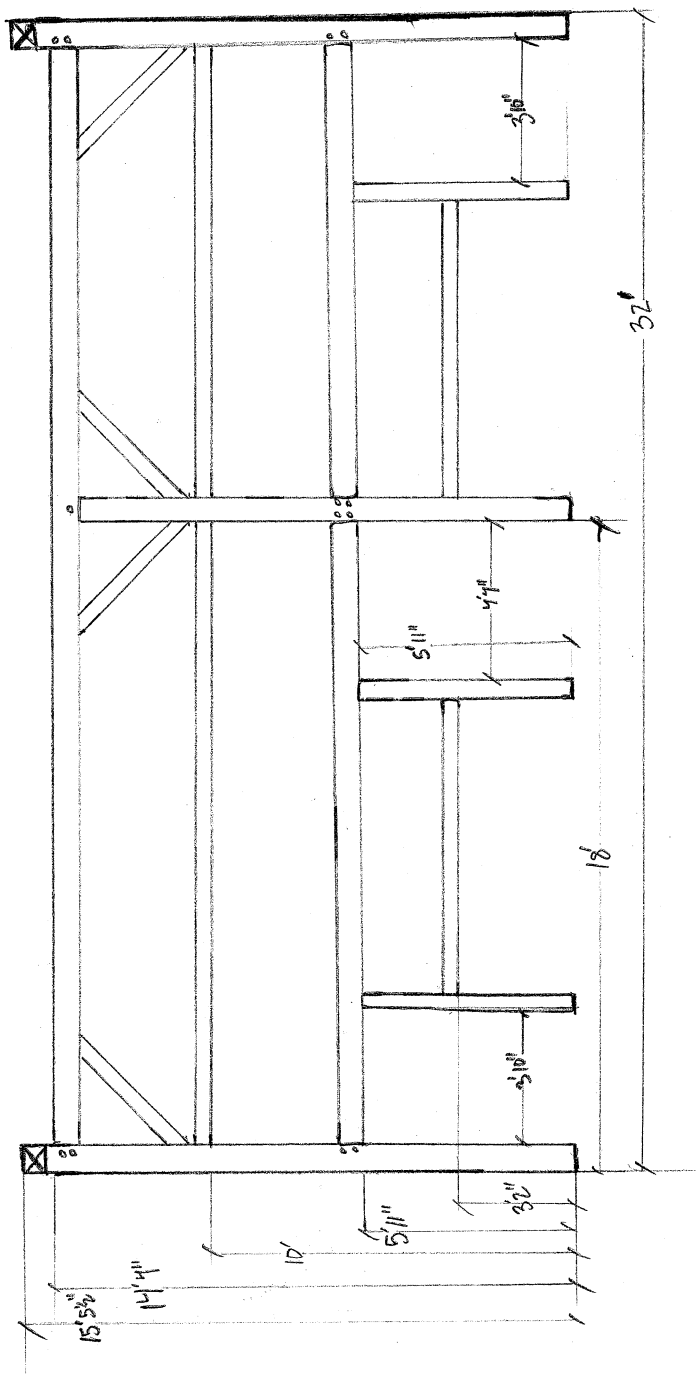
BI

Print I





3/16 - 1st Foot
Preliminary
Drawings
5-18-21



212

212

Print IV