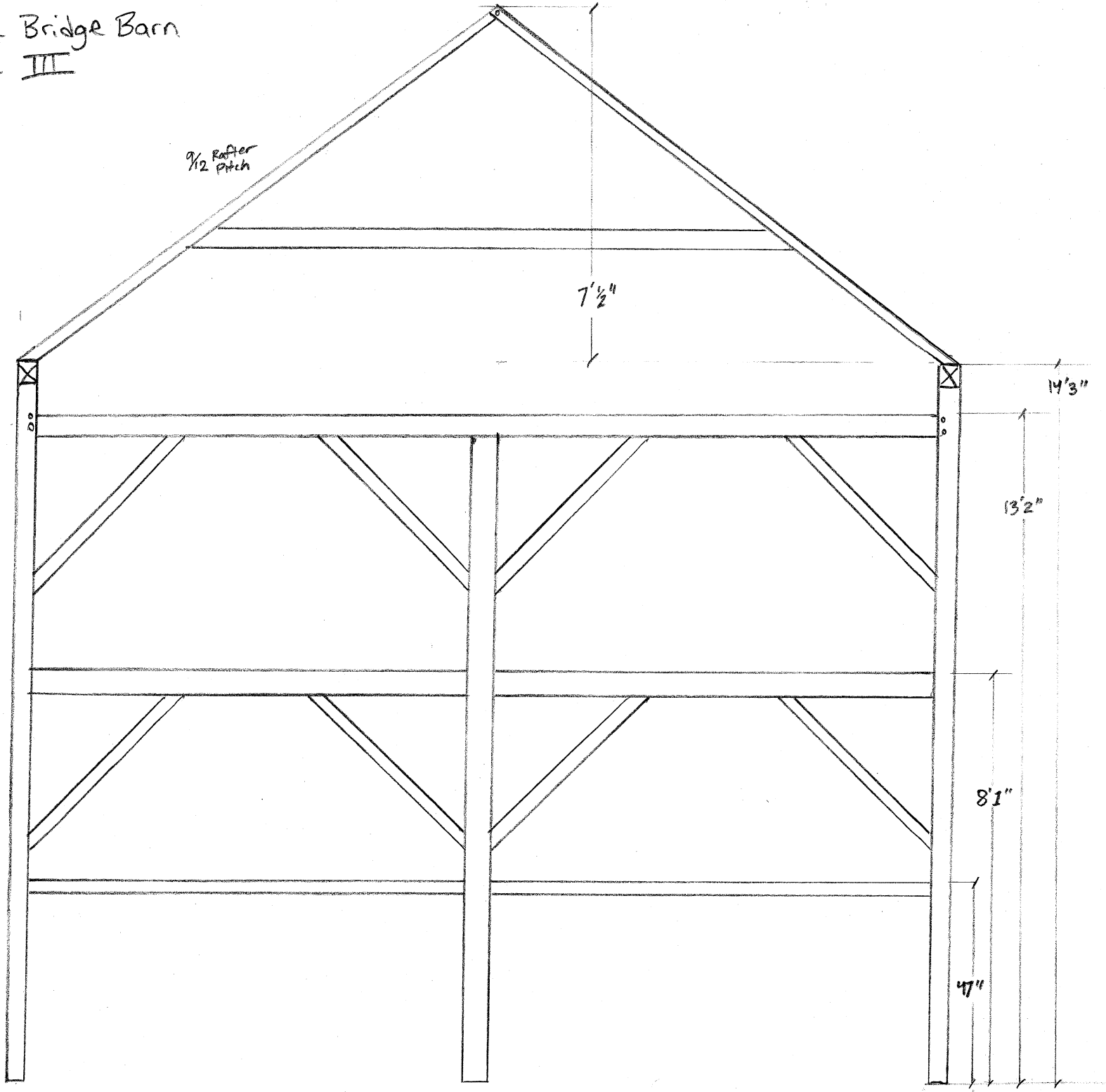
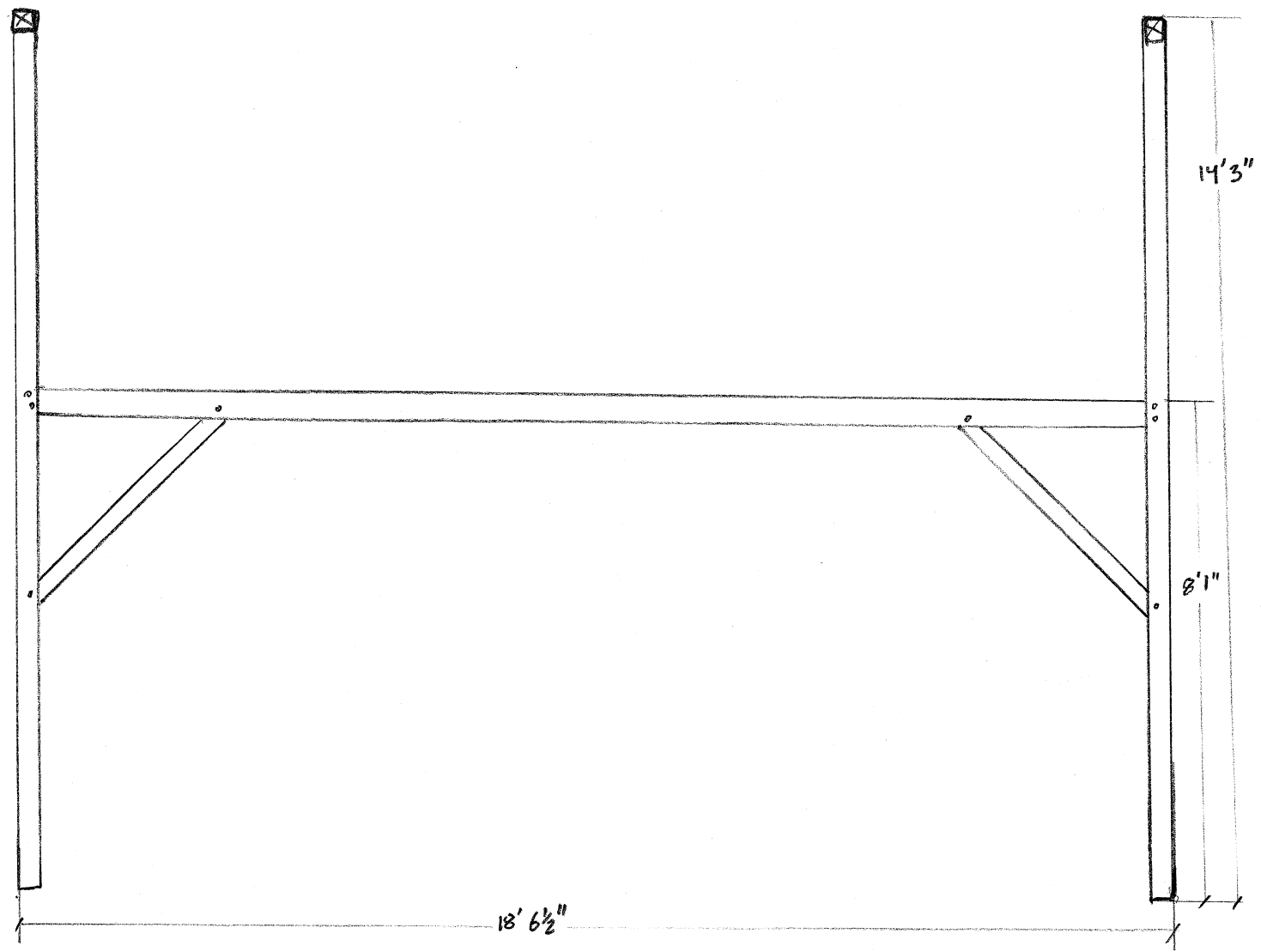


Taftsville Bridge Barn Bent III



3/8/2024
 Preliminary Drawing
 3/8" = 1 foot

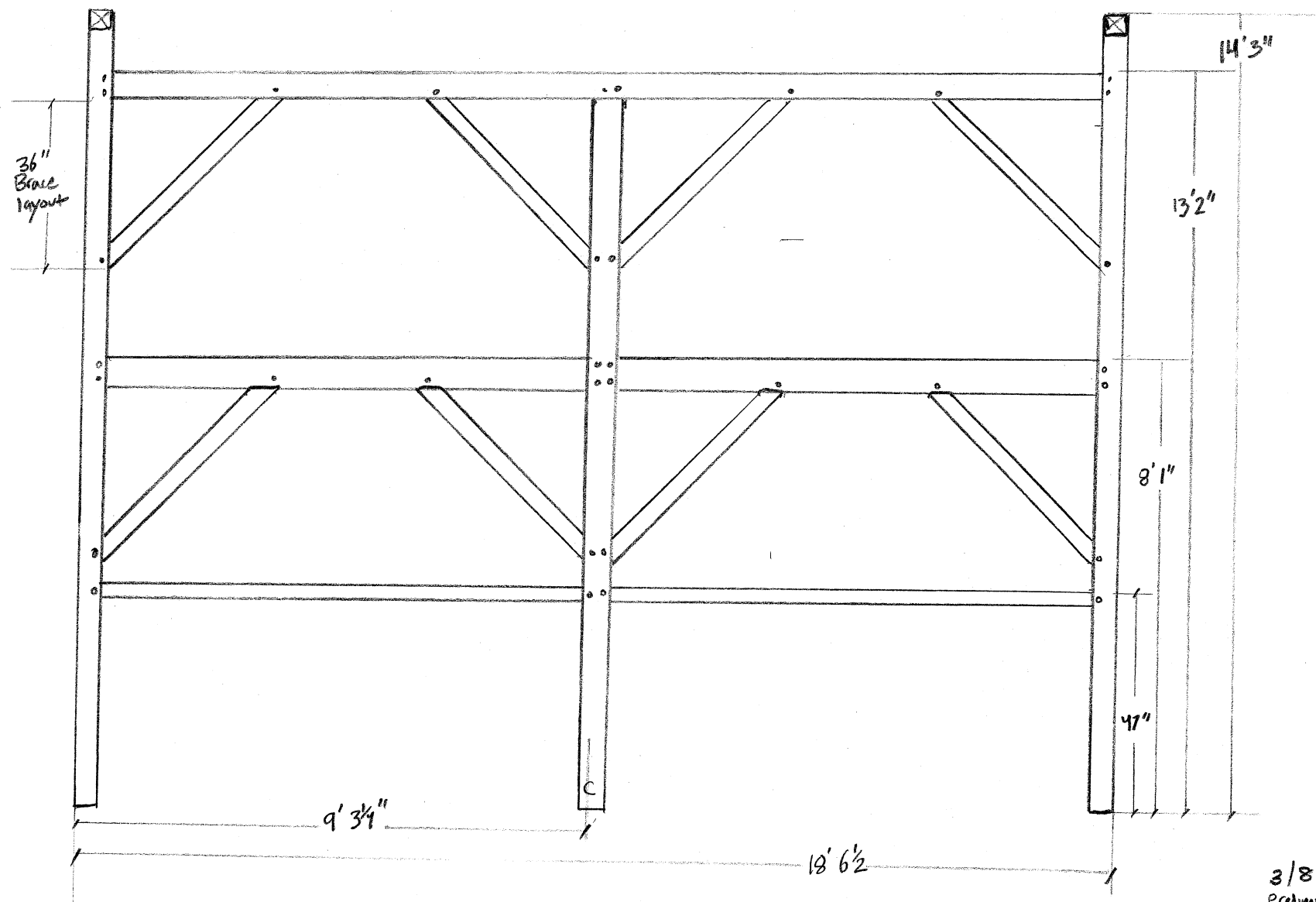
Taftsville Bridge Barn Bent II



Bent II

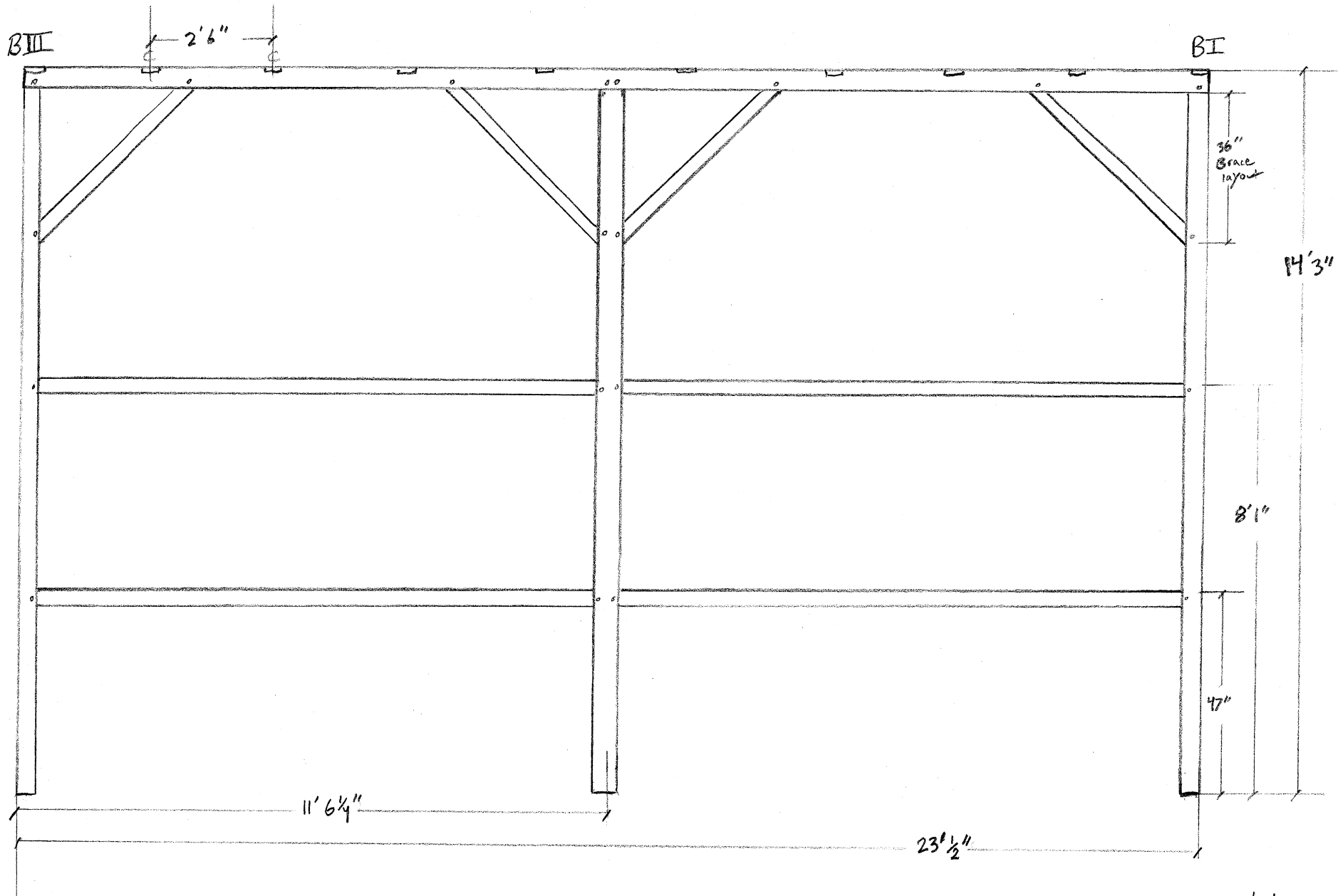
3/8/2024
Preliminary Drawing
3/8" = 1' foot

Taftsville Bridge Barn Bent I



3/8/2024
 Preliminary
 Drawing
 3/8" = 1 foot

Taftsville Bridge Barn
Non X Plate Wall



3/8/2024
Preliminary Drawing
3/8" = 1 foot

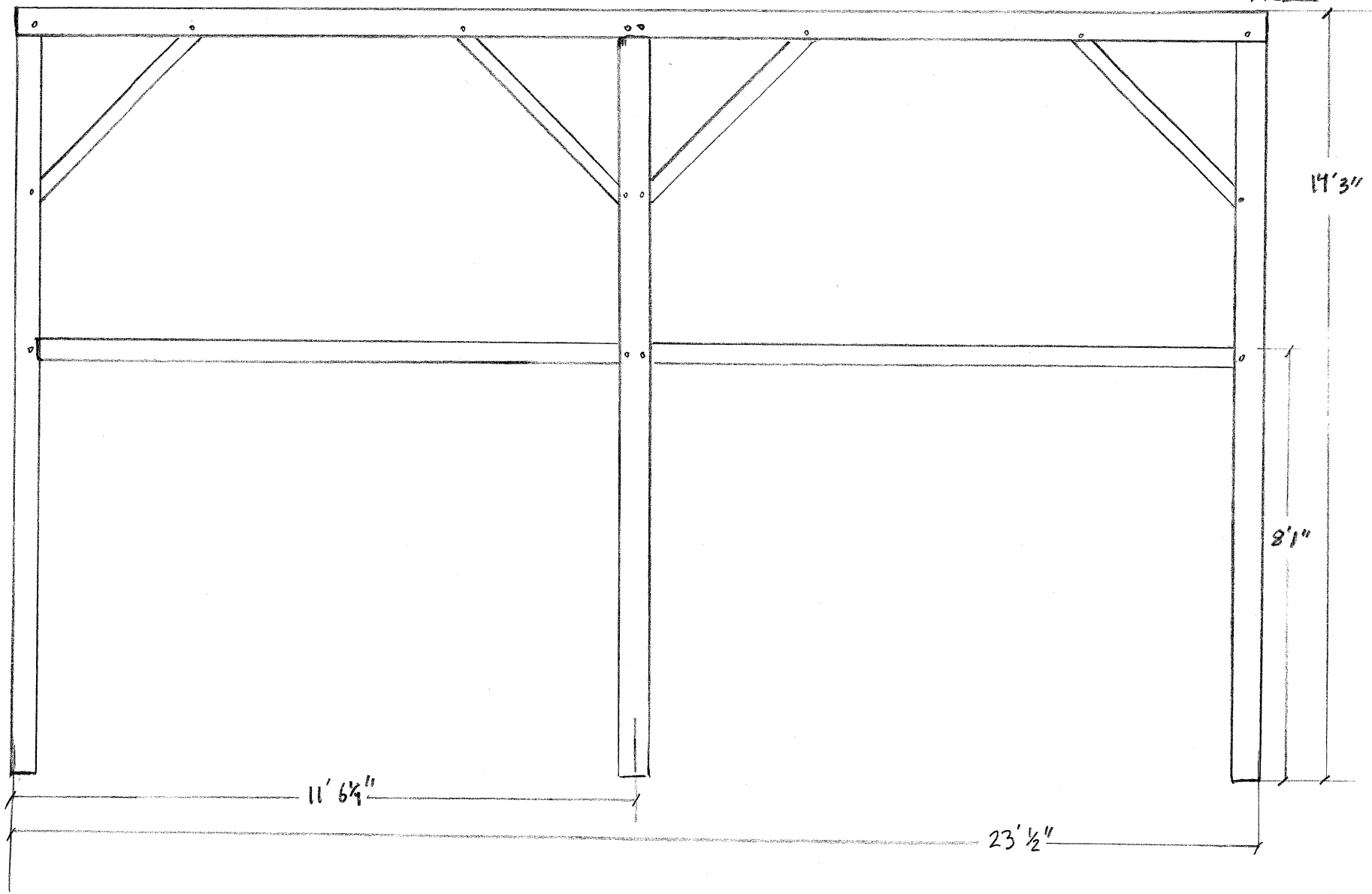
XBI

Taftsville Bridge Barn X Plate Wall

XBIII

XBI

XBIII



3/8/24
 Preliminary
 Drawing
 3/8" = 1 foot