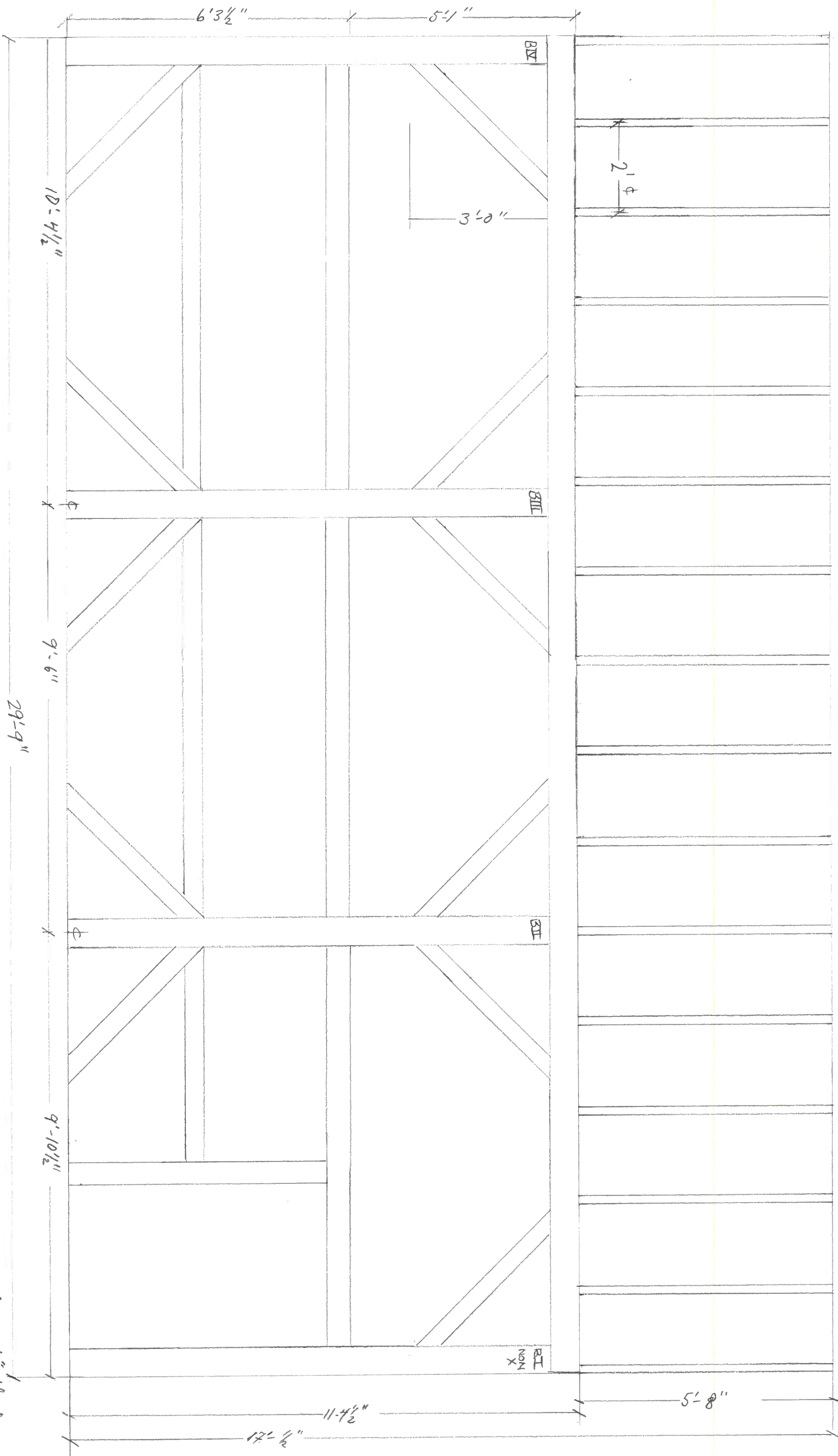


non x Plate Wall (case) including rafters

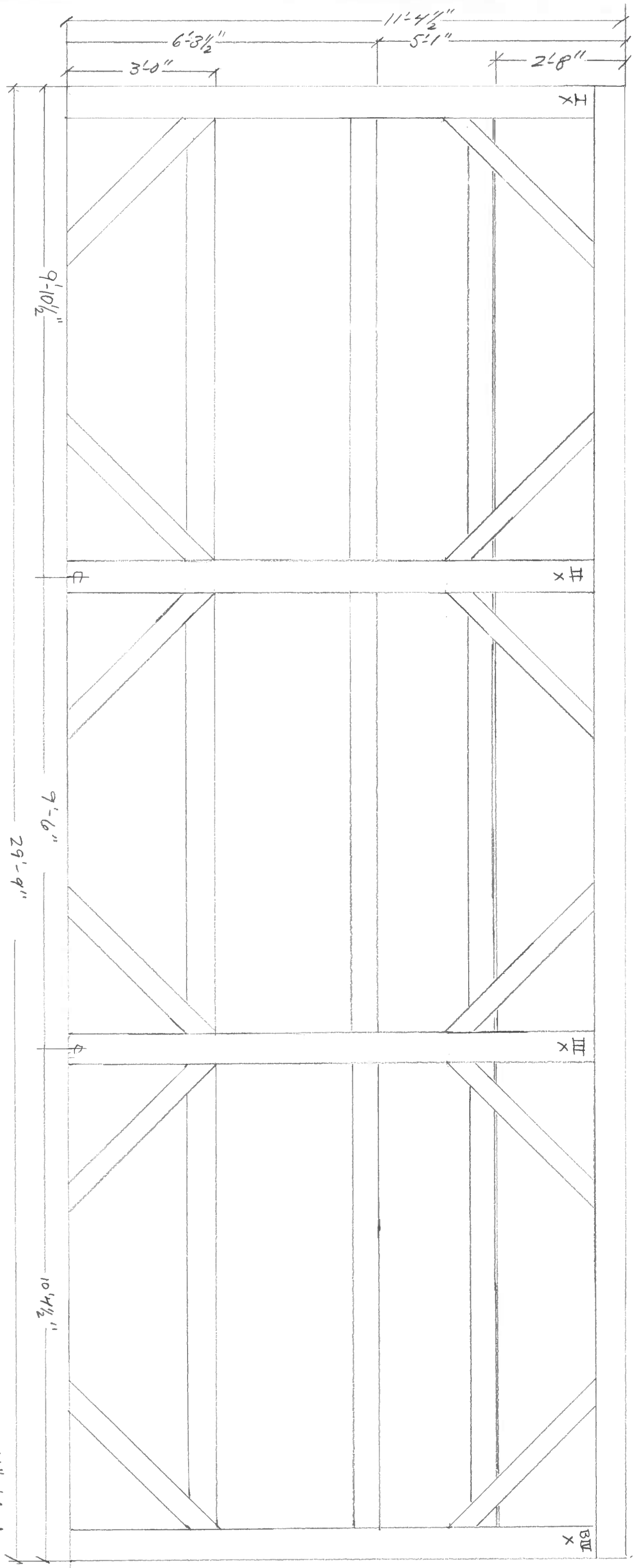


Attwater Corn Horse circa 1840, Middleton Springs VT

①

Scale 1/2" = 1'-0"  
April 9 2019 map.

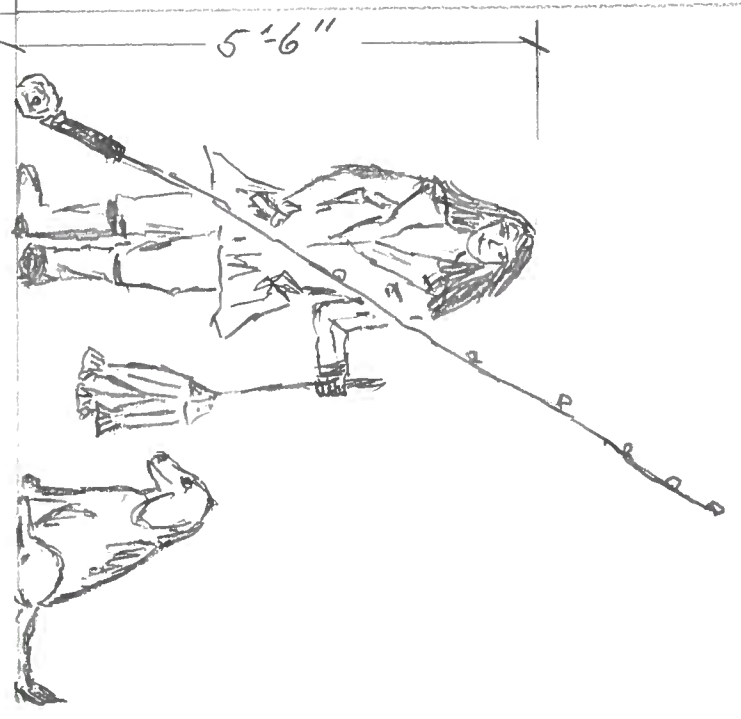
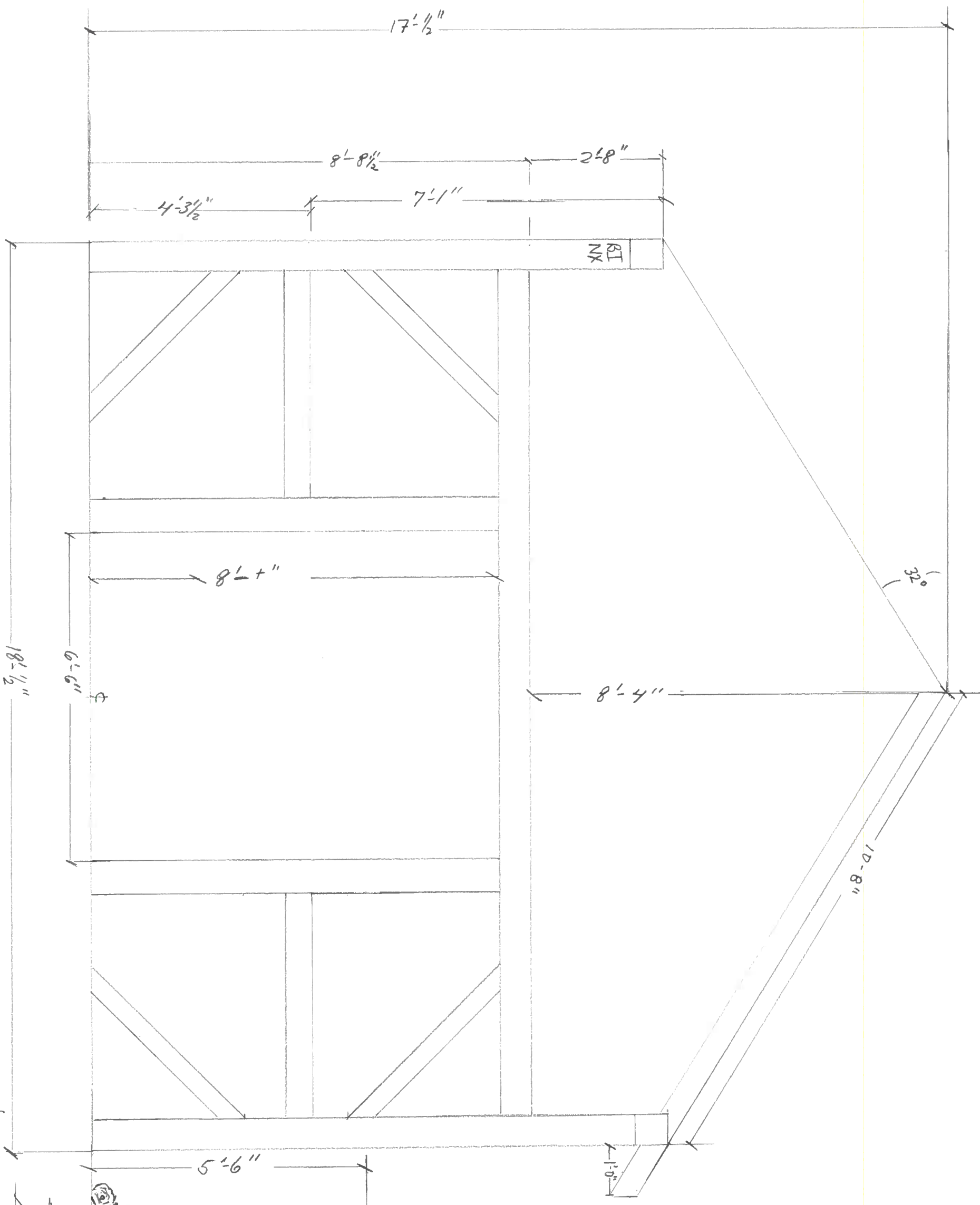
Plate wall X (eave) left floor included



Attwater Corn House circa 1840 Middleton Springs VT.

Scale 1/2" = 1 foot  
April 2019 mgp

Bent I (gable)



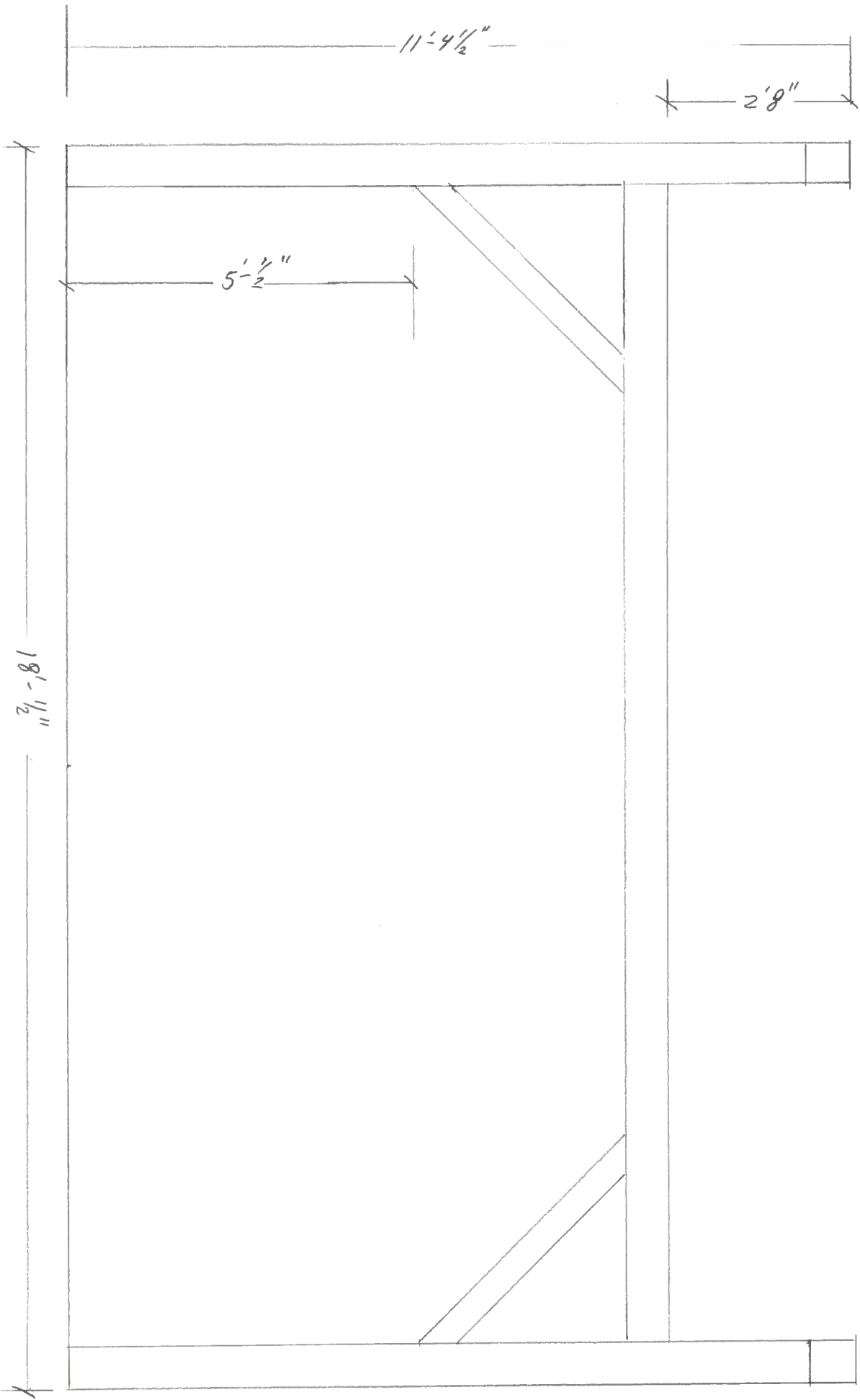
scale 1/2" = 1 foot

April 9 2019 msy

circa 1840 Sturton Corn House Mrs VT.

3

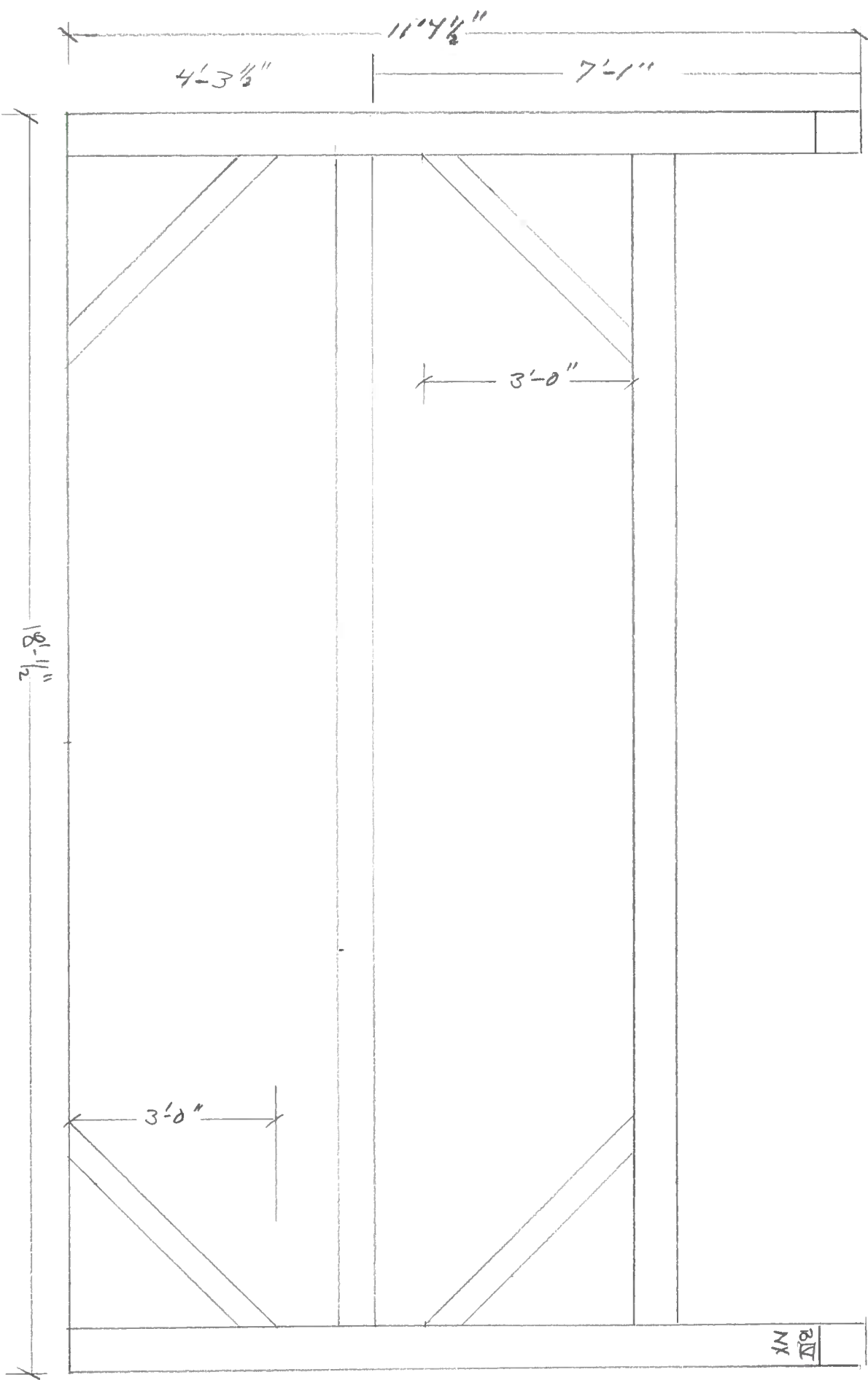
Anterior vents II & III



(4)

Anterior Corn House

Bent IV (gable)



5

Attache Camp House