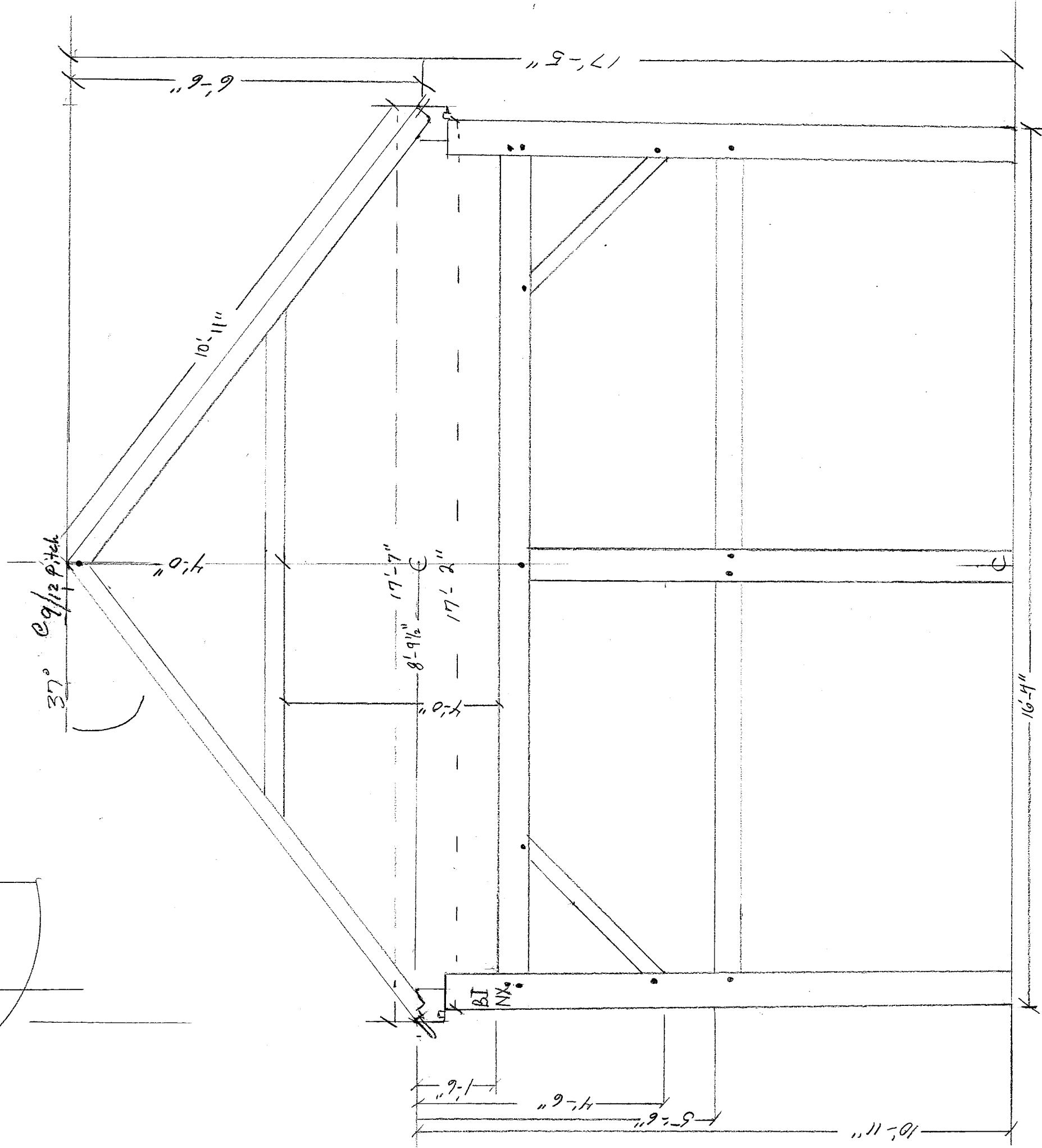
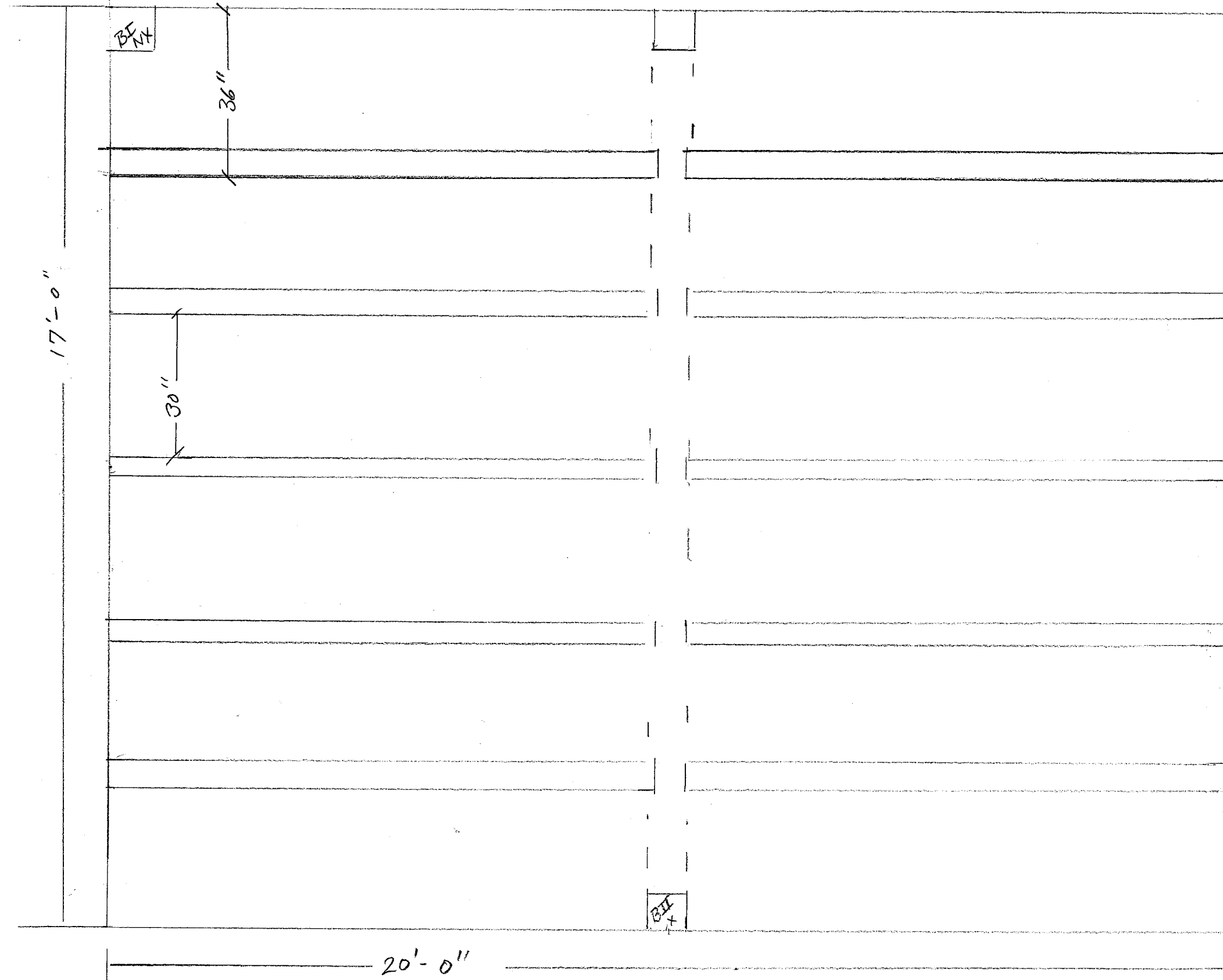


TOP Plate / Post detail

1/8" = 1"

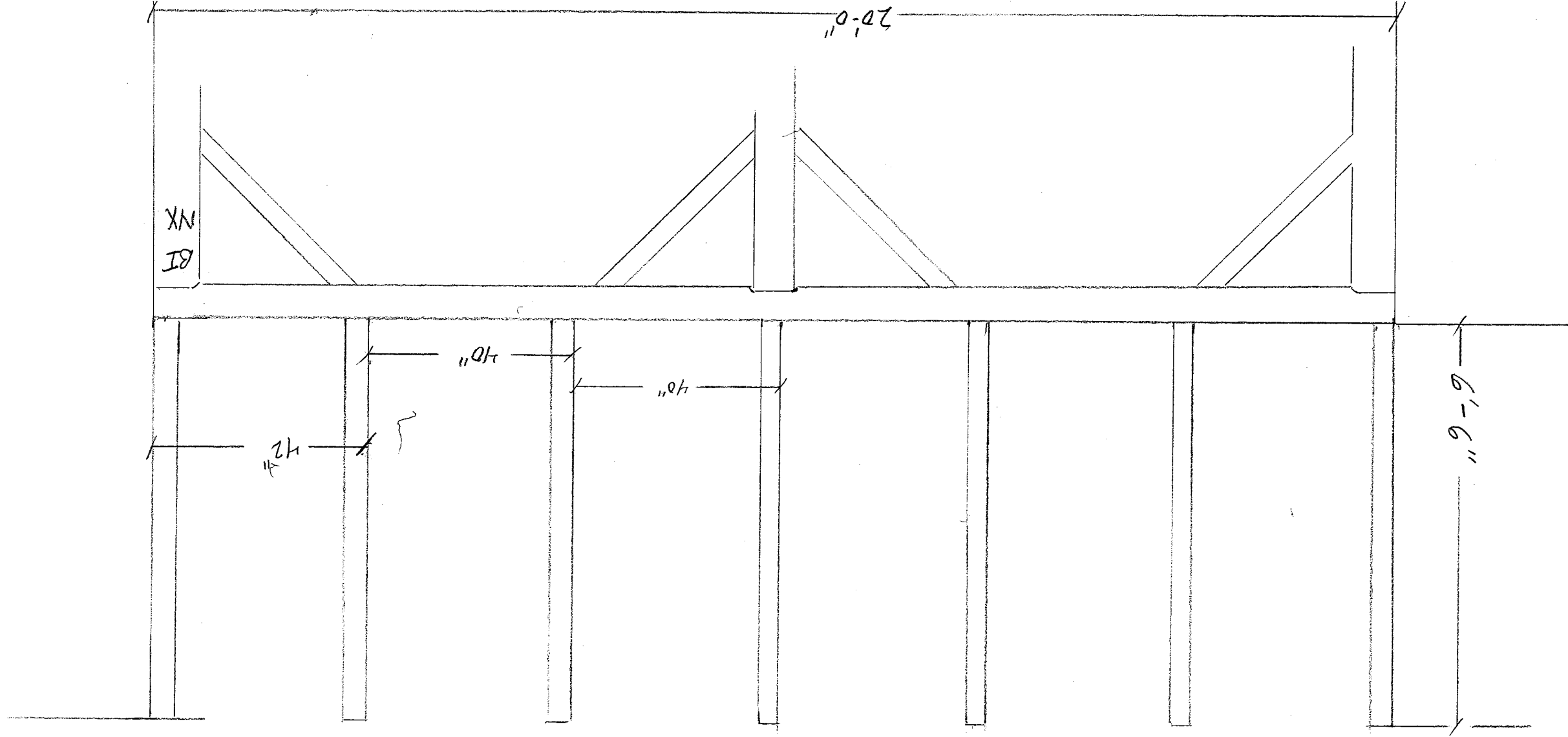


Rupert Grainering Circa 1810

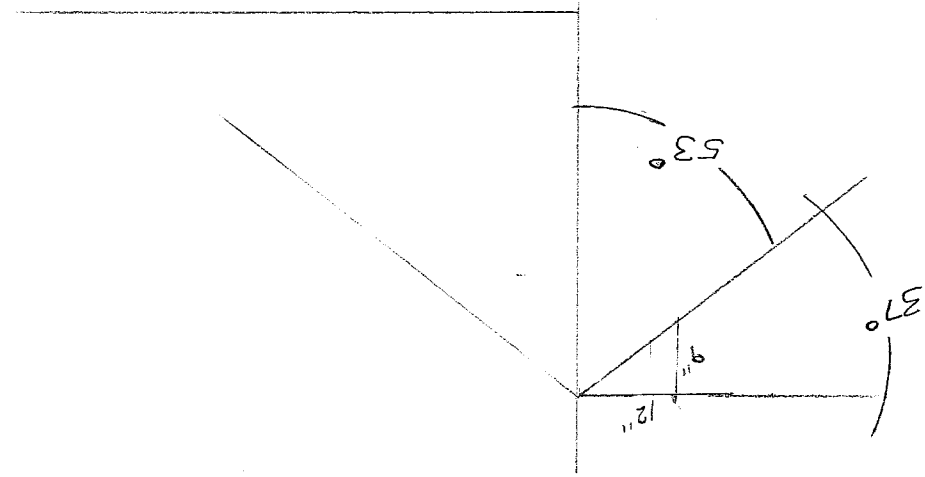


Rupert Grainery

Soft floor



Rupert Engineering Refers



Report Basement Case 1810

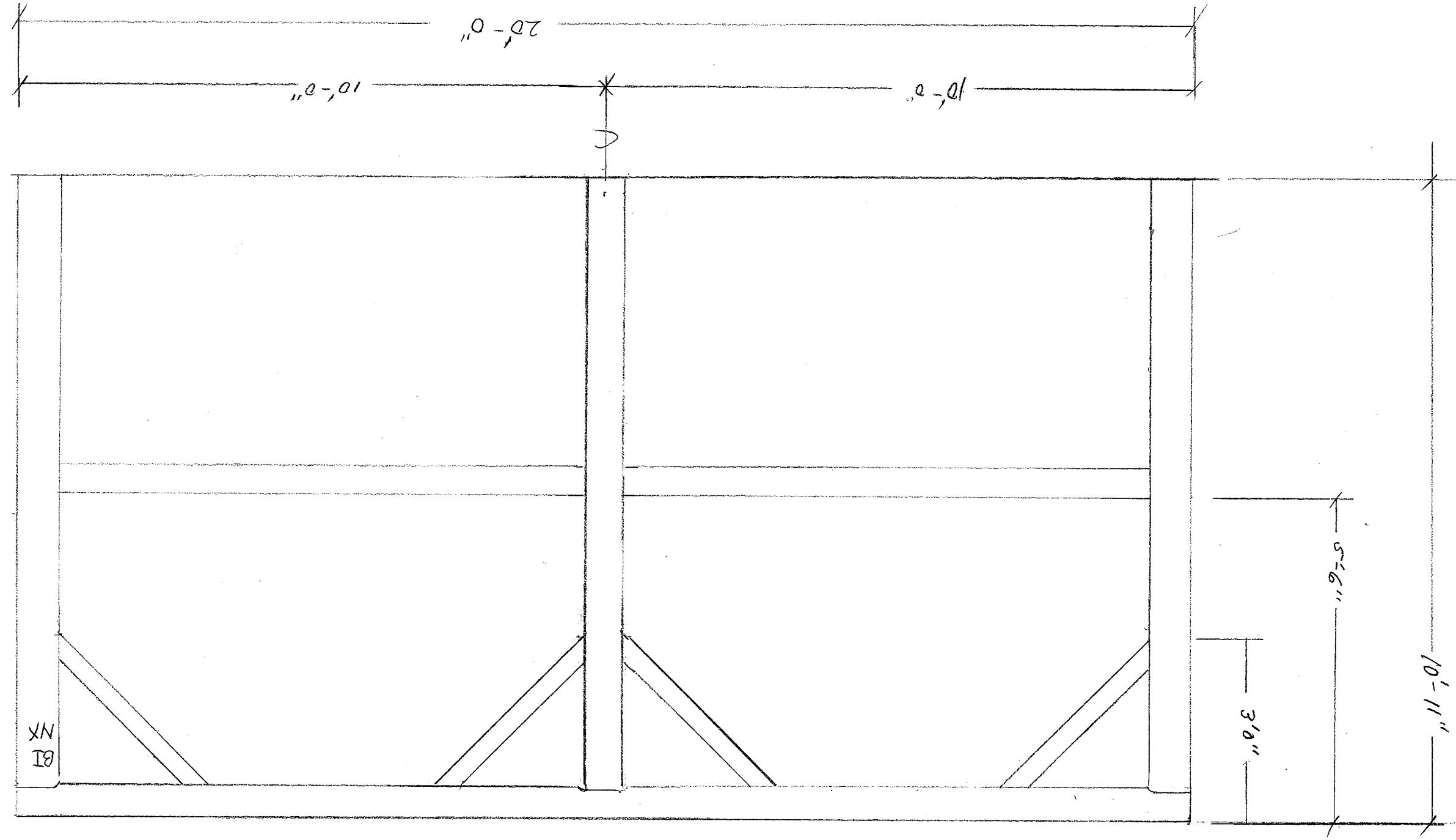


Plate wall NX (save whole)

Rupert Measurement circa 1810
Scale 1/2" = 1 foot

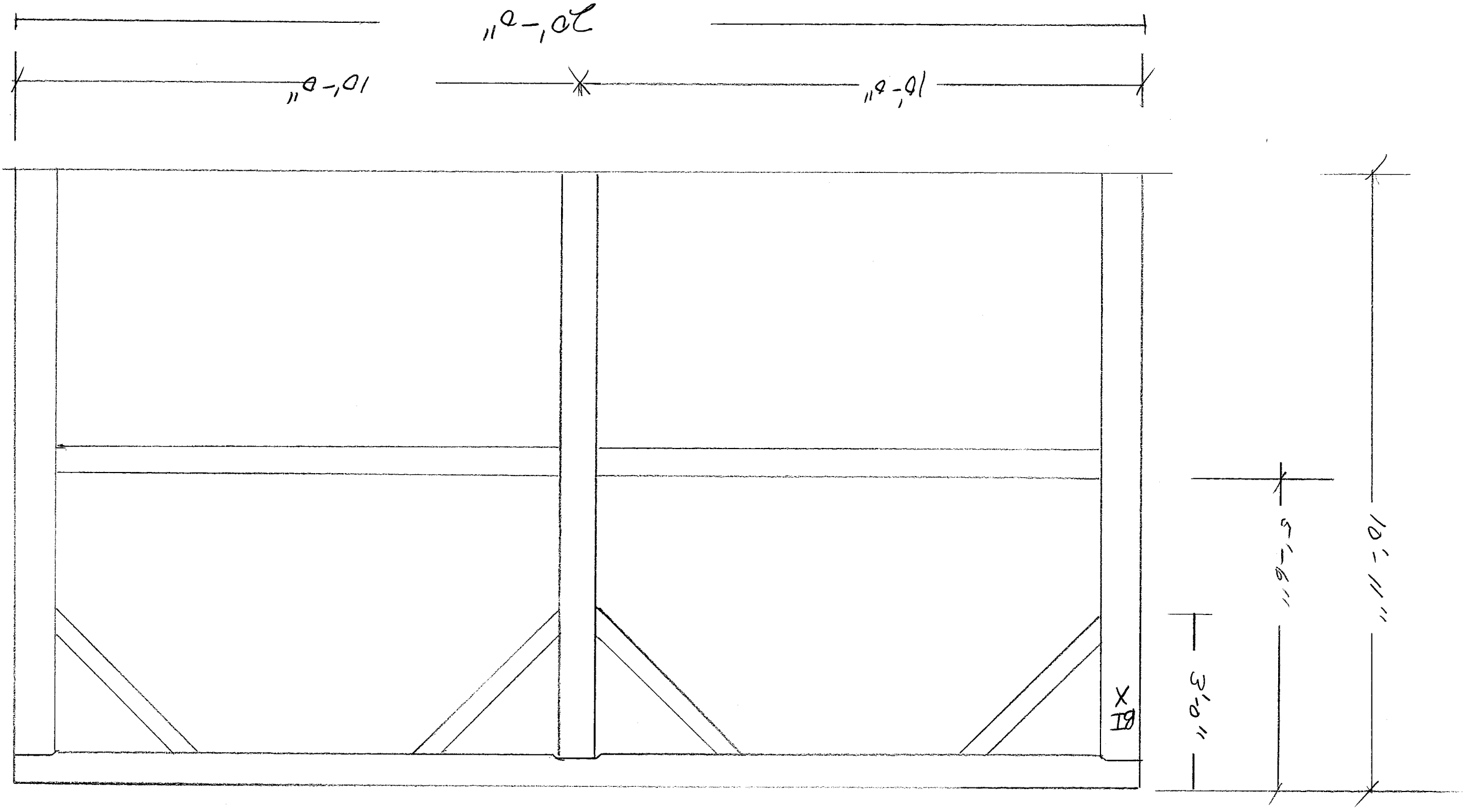
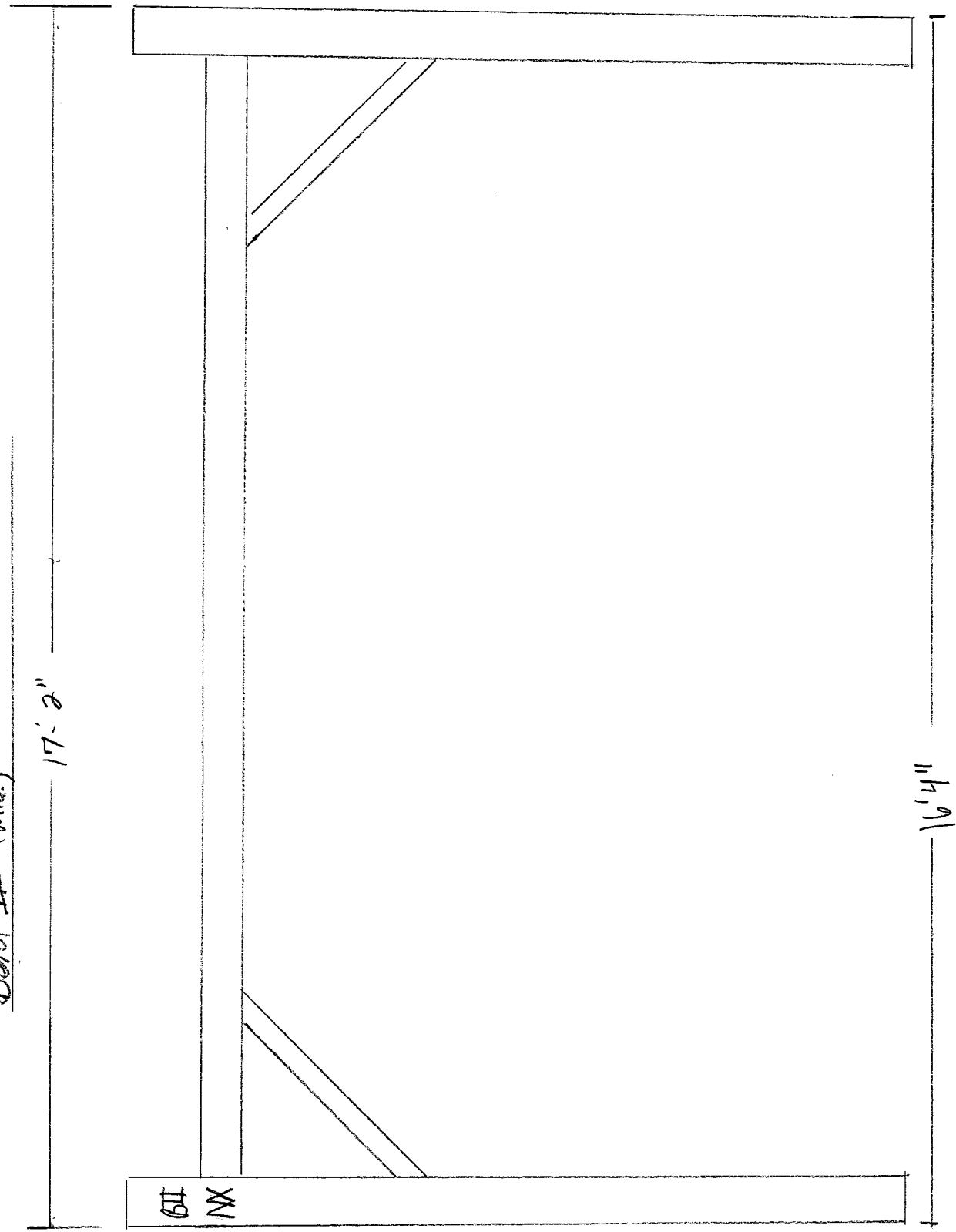
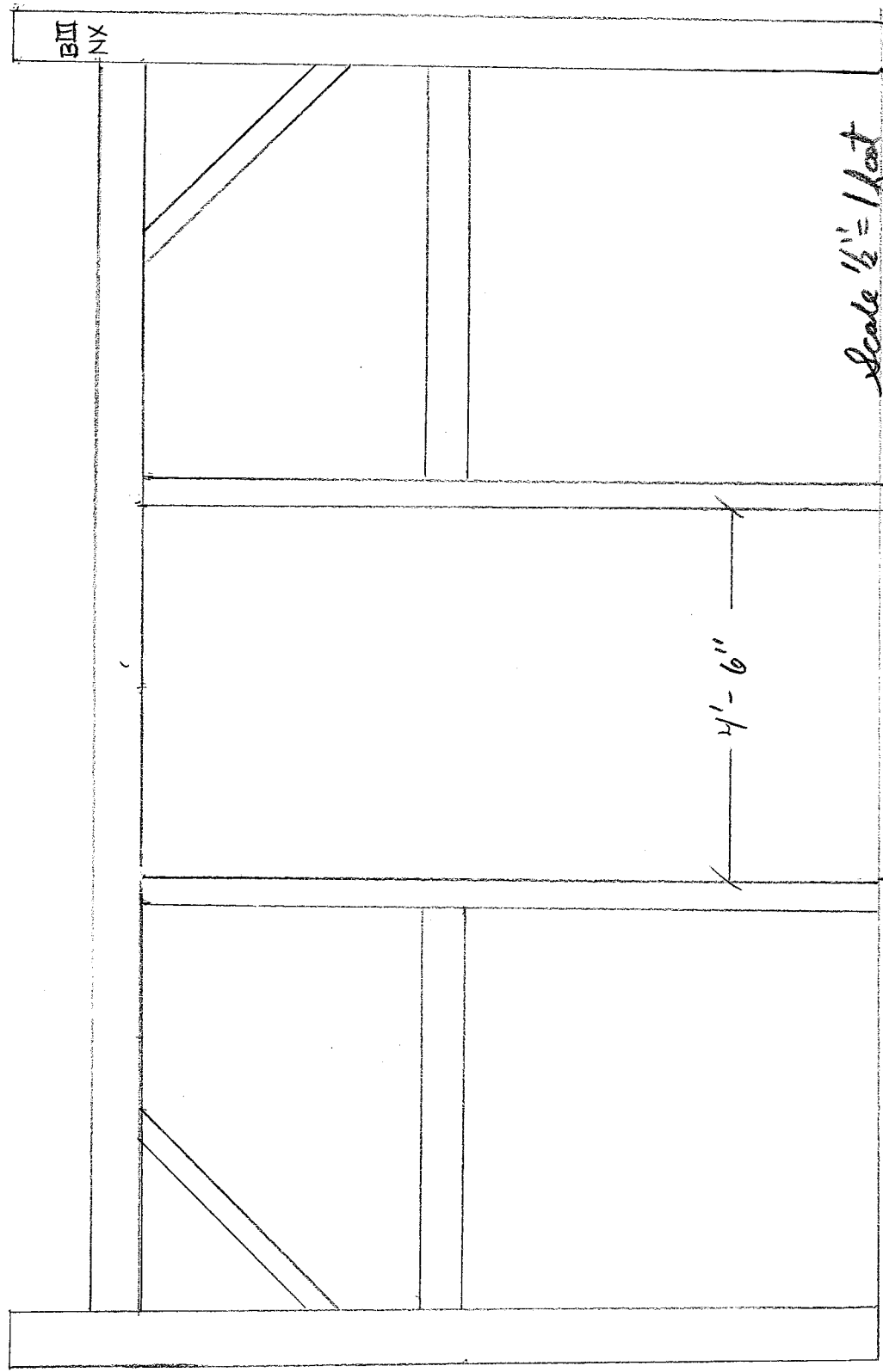


Plate wall X (same wall)

Bent II (mid.)



Rupert Grainery



Bent III (Hole)